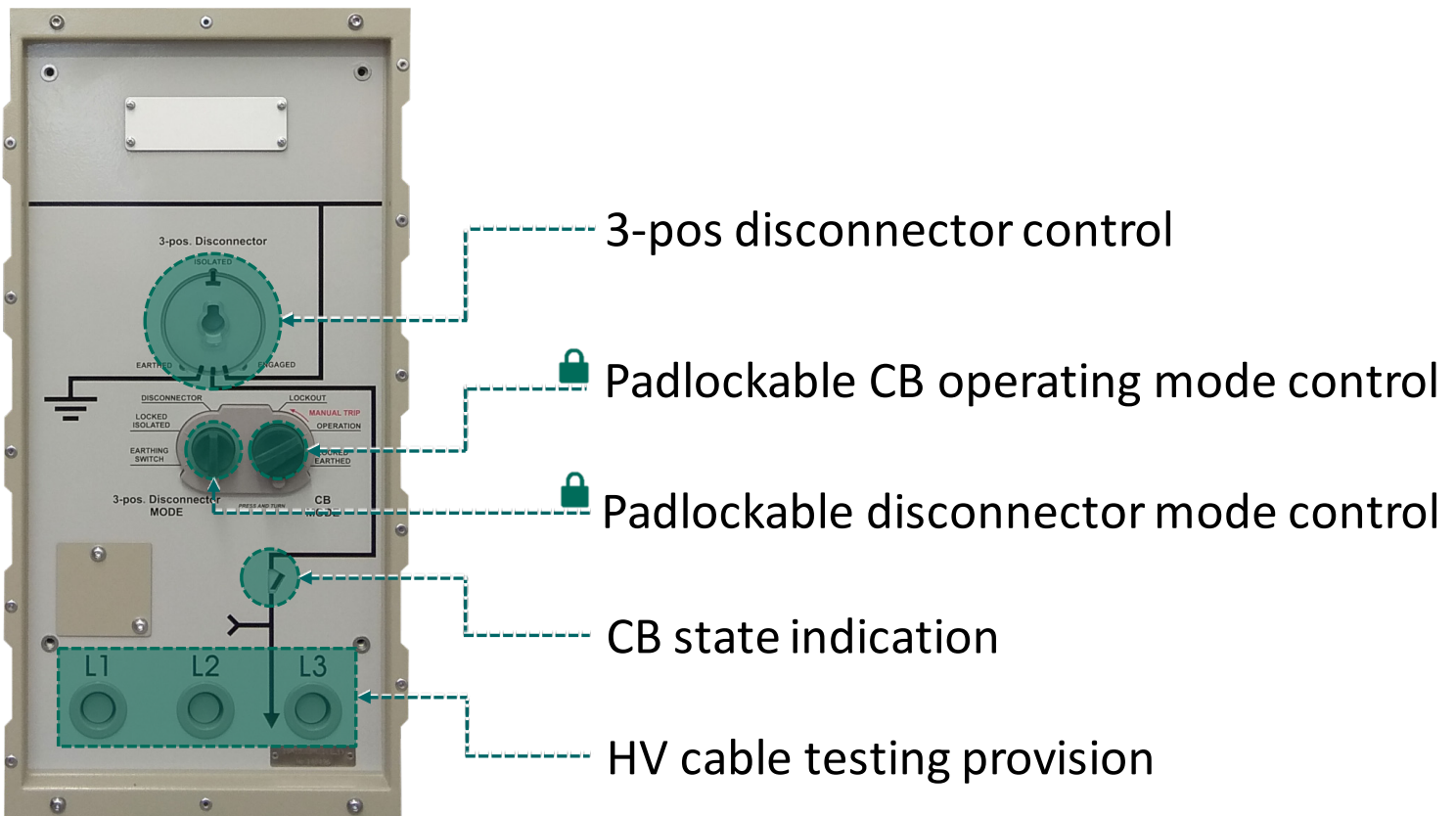


MONOBLOCK

The monoblock consists of:

- 3 phase vacuum circuit breaker
- 3-position disconnector complete with interlocking system
- cable testing provision
- plug-in cable connectors
- voltage indication system



Extremely compact design: H/W/D 746/371/721mm*
Thus ideal for applications in confined spaces

Easy installation and integration in OEM solutions

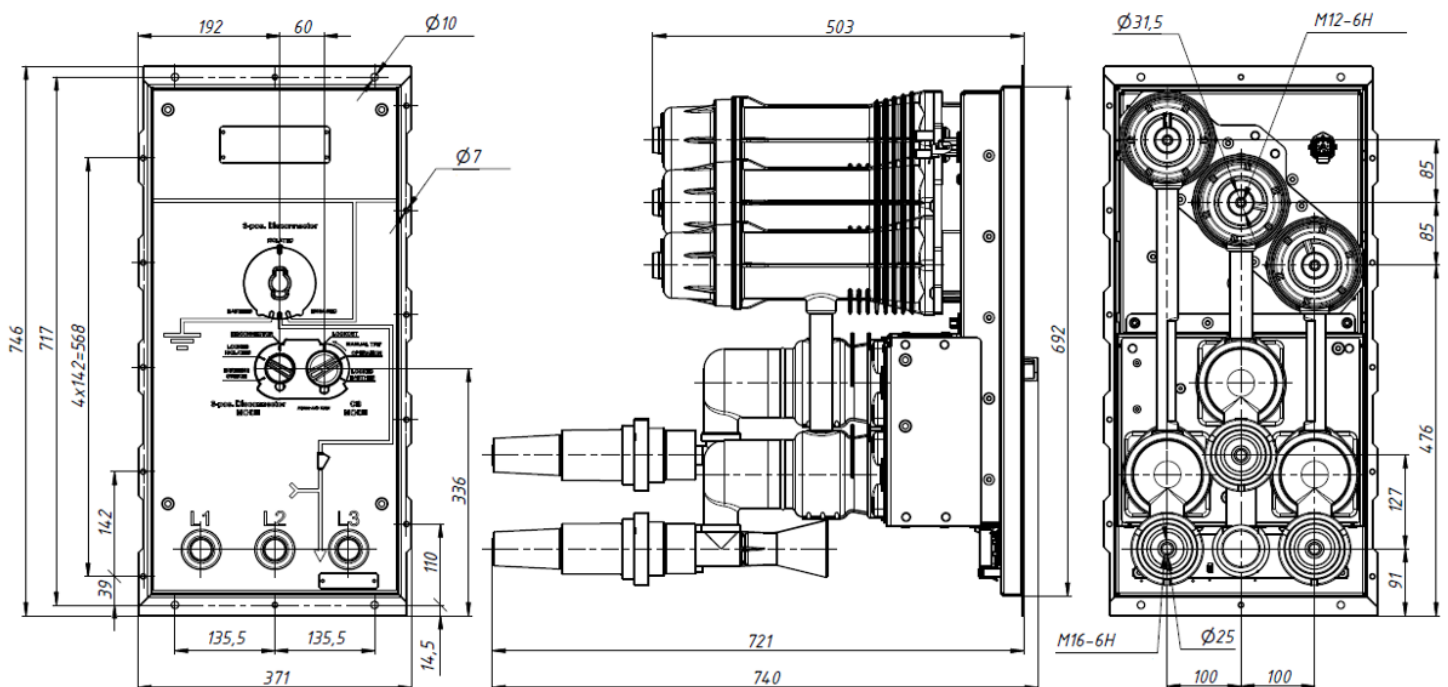
No maintenance requirements

Long life and high reliability:
Up to 30 000 CO cycles and life expectancy of at least 30 years

* 503 mm depth without type-C bushings

POWERBLOCK TECHNICAL PARAMETERS

Rated voltage	12 kV
BIL	75 kV
Rated short time withstand current	20 kA
Rated nominal current	630 A
Mechanical resource	30 000 CO



EUROPE

Tavrida Electric GmbH
Im Leimen 14, 88069
Tettang, Germany
Phone: +49 7542 94 678 51
E-mail: info@tavrida.de

BRAZIL

Tavrida Electric do Brasil
Av. Ireno da Silva Venâncio, 199
GP04A - Protestantes
18111-100, Votorantim / SP, Brazil
Phone: +55 (15) 3243-2555
E-Mail: info@tavrida.com.br

NORTH AMERICA

Tavrida Electric North America Inc.
1105 Cliveden Ave.
Delta, BC V3M 6G9 Canada
Phone: +1 (866) 551-8362
E-Mail: info@tavrida-na.com

SOUTH AMERICA

Tavrida Electric Argentina
Av. Hipólito Yrigoyen 9183/5, 9 piso dpto.
B. Lomas de Zamora,
1832, Provincia de Buenos Aires, Argentina
Phone: +54 (11) 4243-9373
E-Mail: info@tavrida.com.ar

SOUTH AFRICA

Tavrida Electric Africa (Pty) Ltd.
Unit 12 Barbeque Terrace
Dytchley Road, Barbeque Downs
Midrand, 1684, Gauteng, South Africa
Phone: +27 (11) 9142-199
E-Mail: support@tavrida.co.za

REST OF THE WORLD

Tavrida Electric AG.
Bahnhofstrasse 27, 6300
Zug, Switzerland
Phone: + 49 7542 9467851
E-mail: TES_SM@tavrida.ch