

Rec25_Al_SSsub Substation Recloser

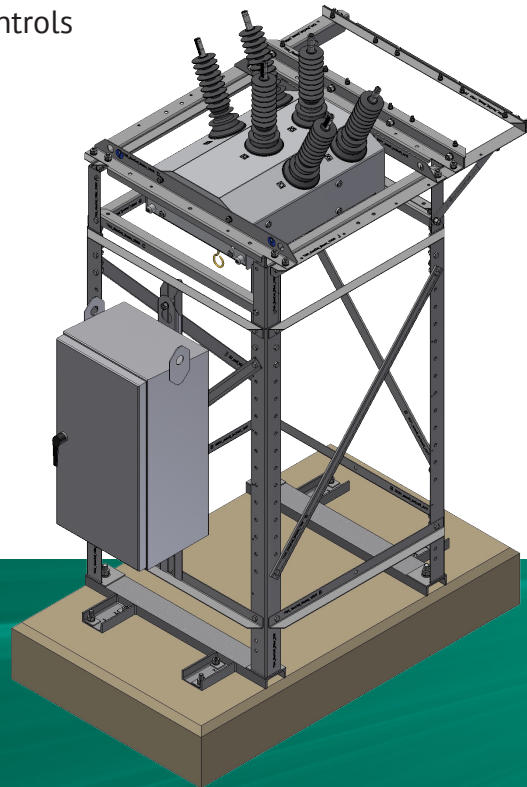
Triple-Single or Three-Phase Gang Operated
With Stainless Steel Mounting Kit

Compatible with SEL-651R and customized controls

**5 YEAR
WARRANTY**



Tavrída Electric solutions ensure reliable power system operation in more than 80 countries.



*shown with optional bracket for mounting external CTs

- 15kV and 27kV systems
- Up to 800A continuous rated current
- x6 voltage and x3 current sensors built in (Loop Scheme Ready)
- Magnetically actuated vacuum interrupters
- Tested to 30,000 CO operations at full load
- Maintenance free and light weight
- 5-year warranty

Tavrída Electric is a world-class manufacturer of vacuum interrupters, magnetic actuators, circuit breaker modules and automatic circuit reclosers. The Rec series module is a field proven, reliable and flexible system that can be used as a switch, circuit breaker, substation breaker, sectionalizer or distribution recloser. There are over 55,000 outdoor switching modules installed worldwide demonstrating unrivalled dependability in the most extreme environments.

The Rec series recloser is fully compatible with several recloser controls including the SEL-651R. The six (6) on-board voltage sensors allow the Rec series recloser to be installed in either a radial or loop scheme configuration. Radial installations can be quickly changed to a loop scheme configuration by simply reprogramming the control.



Basic Operating Parameters

Rated Data

Rated voltage (U_r), up to	15.5kV	27kV
Rated continuous current (I_r)	800A ¹	
Rated overload current (I_p)	960A	
Rated power frequency withstand voltage (U_d), 1 min dry	60kV	
Rated power frequency withstand voltage (U_d), 10s wet	55kV	
Rated lightning impulse withstand voltage closed contacts/open contacts (peak) (U_p)	150/125kV	
Rated short-circuit breaking current (I_{sc})	16kA	12.5kA
Rated short-circuit making current, peak	41.6kA	32.5kA
Rated short-time withstand current, 4s (I_k)	16kA	12.5kA
Rated frequency	50/60Hz	

Switching Performance

Mechanical life (CO cycles)	30,000	
Operating cycles, rated current (CO cycles)	30,000	
Electrical endurance, breaking current (O-CO cycles)	100	
Closing time ²	<40ms	
Opening time ²	<15ms	
Interrupting time, for 50/60 Hz ²	<25/23 ms	
Rated operating sequence	Refer to control manual	

Standards

International Standard	IEC 62271-100, IEC 62271-111	
American Standard	IEEE C37.60	

Other Data

Current Sensing	3 current transformers ³	
Voltage Sensing	6 Voltage Sensors	
Main contact resistance (not more than)	95 μ Ohm	
Degree of protection	IP65	
Weight	176 lbs. (80 kg)	

¹Contact company technical support for details.

²Switching module closing, opening and break times excluding control module recognition time.

³600:1 A ratio is standard. Other ratios are available.

Recloser components

Outdoor Switching Module

The outdoor switching module is designed for use as an automatic circuit recloser, a sectionalizer on overhead distribution lines, and as an outdoor switching module in distribution substation applications for voltages up to 27 kV.



Recloser control

The Tavrída Electric recloser is compatible with SEL-651R MRI control as well as with customized cabinets.



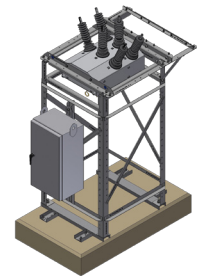
Umbilical cable

Connection between the switching module and the control cabinet is accomplished by a single umbilical cable which can be provided in multiple lengths.

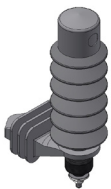


Mounting kit

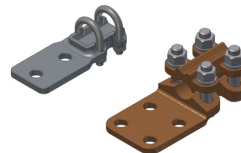
Tavrída Electric offers a stainless steel substation frame with control cabinet mounting interface and an optional bracket for mounting external current transformers.



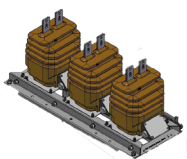
Optional components



Surge arresters



Two or four hole NEMA pads for primary connection

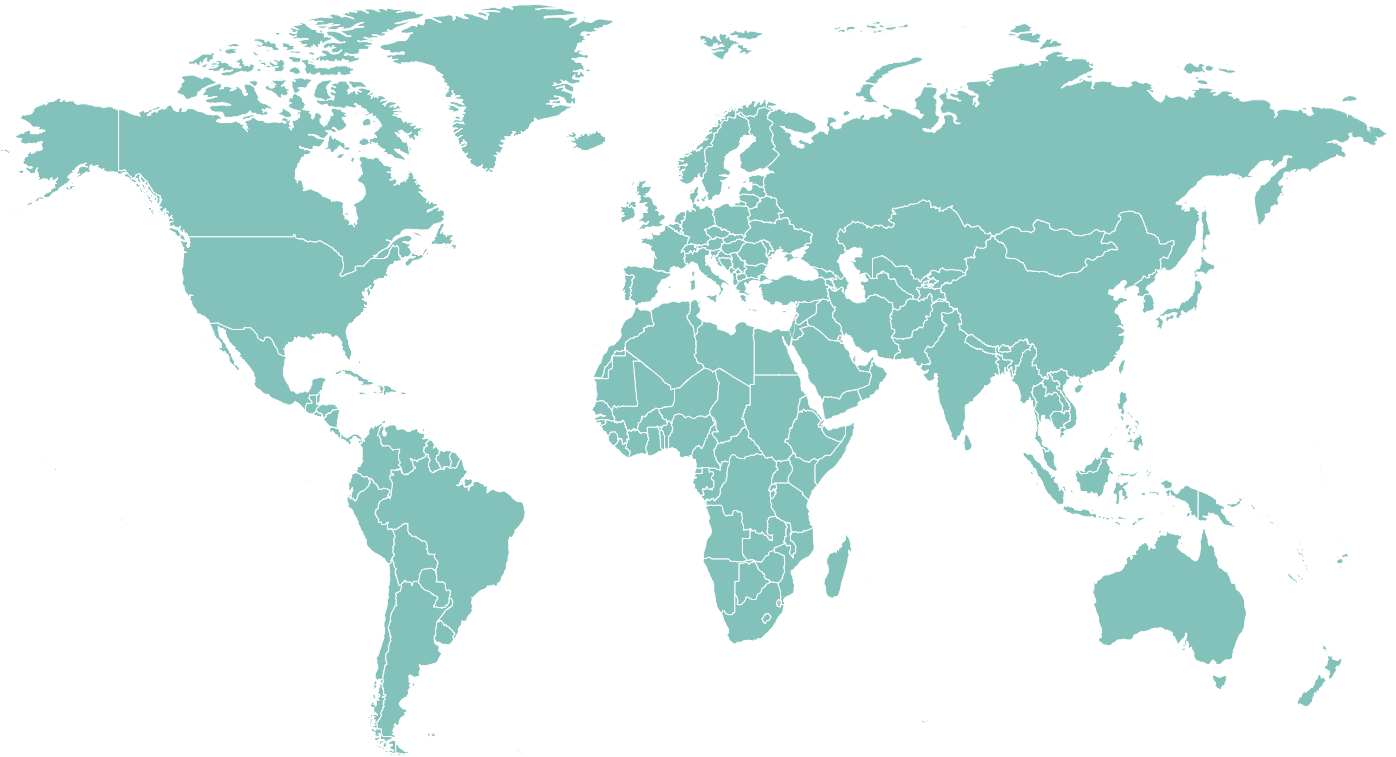


Current transformers



Wildlife covers





EUROPE

Tavrida Electric GmbH

Im Leimen 14,
88069 Tettnang,
Germany
Phone: +49 7542 94 678 51
Fax: +49 7542 94 678 61
E-mail: info@tavrida.de

LATIN AMERICA

Tavrida Electric do Brasil

Av. Ireno da Silva Venâncio, 199
GP04A - Protestantes
18111-100, Votorantim / SP, Brazil
Phone: +55 (15) 3243-2555
Fax: +55 (15) 3243-4233
E-Mail: info@tavrida.com.br

NORTH AMERICA

Tavrida Electric North America Inc.

1105 Cliveden Ave.
Delta, BC V3M 6G9
Canada
Phone: +1 (866) 551-8362
Fax: +1 (604) 540-6604
E-Mail: info@tavrida-na.com

WORLDWIDE

Tavrida Electric AG

Bahnhofstrasse 27,
6300 Zug,
Switzerland
Phone: +49 7542 94 678 51
Fax: +49 7542 94 678 61
E-mail: info@tavrida.ch

SOUTH AFRICA

Tavrida Electric Africa (Pty) Ltd.

Unit 8, N12 Industrial Park,
188 Dr Vosloo Road, Bartlett,
1459 Boksburg, South Africa
Phone: +27 (11) 9142-199
Fax: +27 (11) 9142-323
E-Mail: support@tavrida.co.za

CHINA

Tavrida Electric Qindao Co. Ltd.

No. 336, Songling Road, Laoshan District
266104 Qingdao
China
Phone: +86 (532)-55552366
Fax: +86 (532)-55552377
E-Mail: info@tavrida.cn

